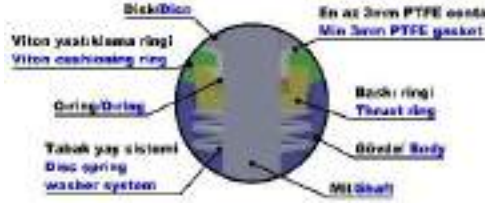
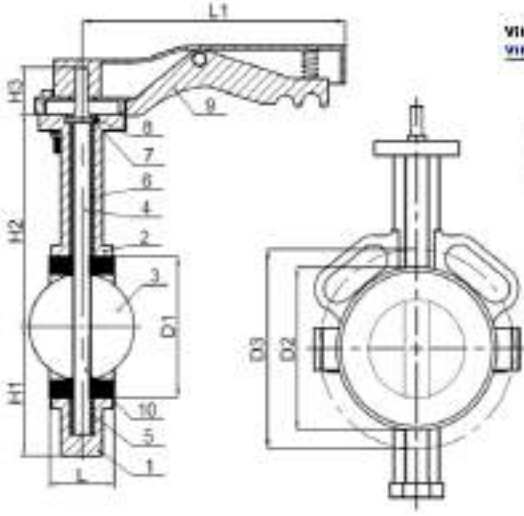


AISI 316 disk ve gövdesi PTFE kaplı Kelebek Vana
PTFE Lined Butterfly Valve with a disc made of AISI 316 and PTFE coated,

MODEL NST-WT



ISO5211



BASINÇ SINIFI PRESSURE CLASS	MAX 16 BAR
FARK BASINCI DIFFERENTIAL PRESSURE	ΔP 16 BAR
MAX.ÇALIŞMA SICAKLIĞI (TMO) MAX.OPERATING TEMPERATURE	180 °C
VAKUM VACUUM	MAX 0.2 BAR MUTLAK BASINÇ ABSOLUTE PRESSURE

NO	PARÇA ADI / PART NAME	MALZEME / MATERIAL
1	GÖVDE / BODY	RILSAN KAPLI SFERO DÖKÜM / RILSAN COATED GGG40 SPHERO CAST PASLANMAZ ÇELİK / STAINLESS STEEL SS304 & 316
2	SİT / SEAT	PTFE
3	DİSK / DISC	PASLANMAZ ÇELİK,+ PTFE KAPLI / AISI316 STAINLESS STEEL+ PTFE COATED
4	MİL / SHAFT	PASLANMAZ ÇELİK / SS416~ SS431-316
5	O-RİNG / O-RING	EPDM
6	KISA RAKOR / SHORT BUSHING	F4
7	PUL / WASHER	A3
8	SEGMAN / SEGMENT	A3
9	KOL / HANDLE	ALÜMİNYUM / ALUMINIUM
10	KISA MİL / SHORT SHAFT	PASLANMAZ ÇELİK / SS416~ 316

ÖLÇÜ SIZE	L	H1	H2	H3	L1	D1	D2	4-Ø	G	J	Cx C	PN10	PN16	AĞIRLIK WEIGHT KGS
												D3	D3	
DN50	42	73	135	32	198	70	118	7	65	50	9*9	125	125	3,1
DN65	45	80	135	32	198	85	137	7	65	50	9*9	145	145	3,3
DN80	46	90	138	32	198	100	143	7	65	50	9*9	160	160	3,8
DN100	52	116	159	32	210	122	156	7	65	50	11*11	180	180	6
DN125	55	130	175	32	272	148	190	9	90	70	14*14	210	210	7,3
DN150	56	148	188	32	272	175	212	9	90	70	14*14	240	240	8,8
DN200	61	180	230	35	358	226	268	12	125	70	17*17	295	295	20,7
DN250	66	220	270	35	358	278	325	12	125	70	22*22	350	355	28,5
DN300	77	255	300	35	358	330	403	14	125	102	24*24	400	410	40
DN350	77	284	337	45				14	150	125	24*24	460	470	51,8
DN400	87/102	322	367	51				14	150	125	24*24	515	525	90