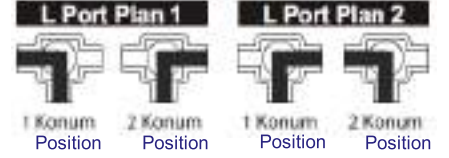
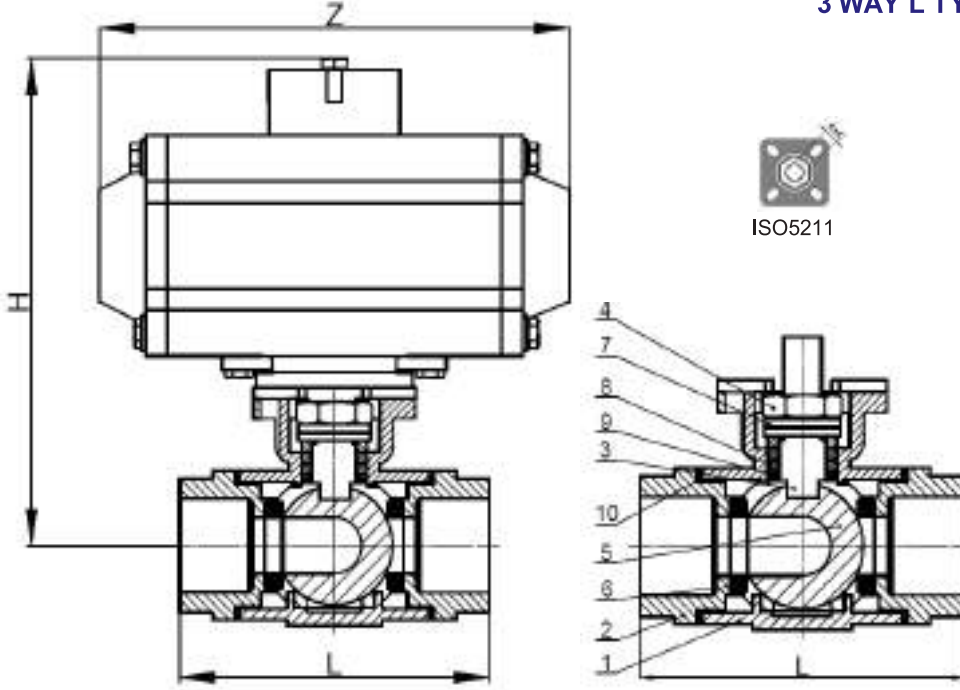


PASLANMAZ ÇELİK 3 YOLLU 'L' TİPİ PNÖMATİK  
AKTÜATÖRLÜ KÜRESEL VANA  
3 WAY L TYPE STAINLESS STEEL BALL VALVE WITH  
PNEUMATIC ACTUATOR

MODEL NST-PA3YL



NO	PARÇA ADI / PART NAME	MALZEME / MATERIAL	MİKTAR / QTY
1	GÖVDE / BODY	PASLANMAZ ÇELİK / SS316	1
2	KAPAK / CAP	PASLANMAZ ÇELİK / SS316	3
3	MİL / SHAFT	PASLANMAZ ÇELİK / SS304	1
4	KOVAN SOMUNU / GLAND NUT	PASLANMAZ ÇELİK / SS316	1
5	KÜRE / BALL	ASTM A351 GR.CF8M	1
6	SİT SEAT	TAKVİYELİ PTFE REINFORCED PTFE	4
7	BASINÇLI AYAR PULU THRUST WASHER	PTFE	2
8	SALMASTRA / PACKING	PTFE	3
9	BAĞLANTI CONTASI / JOINT GASKET	PTFE	1
10	KAPAK SALMASTRASI / CAP PACKING	PTFE	3

ÖLÇÜ / SIZE	L	H	Z	CXC	TEPE FLANŞLI / TOP PAD ISO5211	TORK / TORQUE N.m	AĞIRLIK / WEIGHT KGS	AKTÜATÖR ACTUATOR
1/4"	75	58		9*9	F03-F05	8	0,65	NST-DA40
3/8"	75	58	144	9*9	F03-F05	9	0,63	NST-DA50
1/2"	75	61	144	9*9	F03-F05	11	0,58	NST-DA50
3/4"	86	74	144	9*9	F03-F05	15	0,79	NST-DA50
1"	103	81	144	11*11	F04-F05	18	1,25	NST-DA50
1 1/4"	115	88	163	11*11	F05-F07	25	2,22	NST-DA63
1 1/2"	125	104	214	14*14	F05-F07	35	3,45	NST-DA75
2"	146	110	214	14*14	F05-F07	55	4,50	NST-DA75