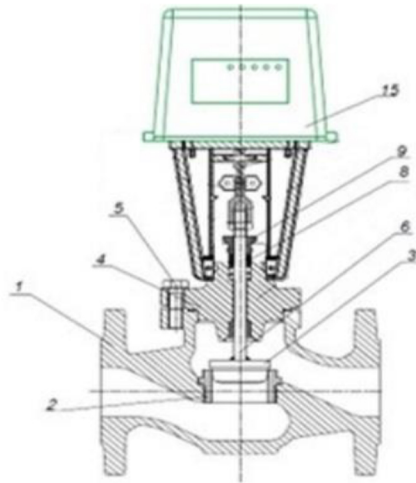


**PROPORTIONAL CONTROL VALVES****TYPE NST-OKV2**

NO	DESCRIPTION	MATERIAL
1	BODY	GJS-400-18-LT/395 / WCB / CF8 / CF8M
2	SEAT	1.4305
3	FLAP	1.4305 ~ PEEK
4	COVER	GJS-400-18-LT/395
5	BOLT	8.8
6	SHAFT	1.4305
8	V PACKET GASKET	PTFE - CARBON
9	GUIDE SLEEVE	1.4104
15	ELECTRIC DRIVE	

**FLOW CHARACTERISTIC**

SEAT DIAMETER DN (mm)		DN15	DN20	DN25	DN32	DN40	DN50	DN65	DN80	DN100	DN125	DN150	DN200
Kv		4	6,3	10	16	25	40	60	80	160			
	EQ%												

PN16 DIN 2501

SIZE	L	H2	H3	Ø	WEIGHT KGS
DN15	130	107	216	240	
DN20	150	107	216	240	
DN25	160	107	216	240	
DN32	180	99	225	270	
DN40	200	99	225	270	
DN50	230	99	225	270	
DN65	290	162	228	270	
DN80	310	162	228	270	
DN100	350	197	333	380	

**SPECIFICATION&TECHNICAL CONDITIONS**

NOMINAL PRESSURE	PN16,25,40,64,100
FLOW CHARACTERISTIC	EQUAL PERCENTAGE, LINEAR, QUICK OPEN (FOR SHUT-OFF VALVE)
COVER FORM	STANDART TYPE: CAST STEEL -20°C~+250°C CAST STAINLESS STEEL 40°C~+250°C
	FIN-EXTENSION TYPE: CAST STEEL -29°C~+425°C CAST STAINLESS STEEL : -40°C~+450°C
	LONG-EXTENSION TYPE: CAST STEEL : -60°C~-100°C, -100°C~-200°C, -200°C~-250°C
SEAT SEALING	ANSI IV,V,VI