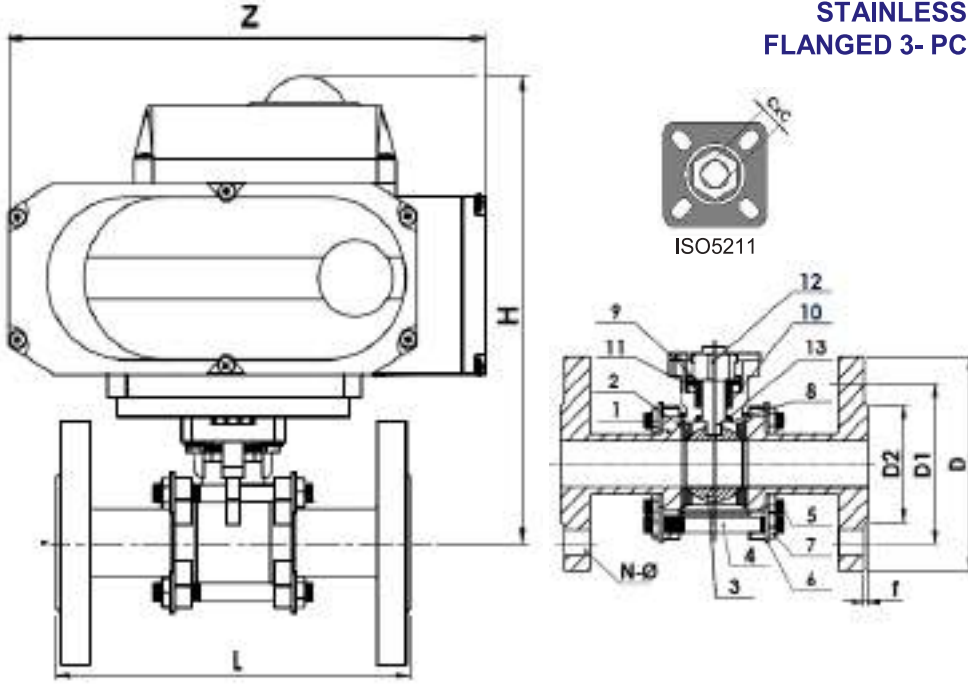


**PASLANMAZ ÇELİK 304/316 TAM GEÇİŞLİ PN16 FLANŞLI
ÜÇ PARÇALI ELEKTRİK AKTÜATÖRLÜ KÜRESEL VANA
STAINLESS STEEL 304/316 QUALITY FULL PORT PN16
FLANGED 3- PC BALL VALVE WITH ELECTRIC ACTUATOR**



ISO5211

MODEL NST-EAK3FYP



MAK. ÇALIŞMA SICAKLIĞI / MAX. WORKING TEMPERATURE : -20~160 °C
ÇALIŞMA BASINCI / OPERATING PRESSURE : 10 BAR
UYGULAMA YERLERİ : SU,GAZ,HAFİF ASİTLER
APPLICABLE MEDIUM : WATER,GAS,LIGHT ACIDS

NO	PARÇA ADI / PART NAME	MALZEME / MATERIAL	MİKTAR / QTY
1	KAPAK / BONNET	PASLANMAZ ÇELİK / ASTM351 CF8&CF8M	2
2	SİT / SEAT	PTFE	2
3	KÜRE / BALL	PASLANMAZ ÇELİK / SS304&316	1
4	GÖVDE / BODY	PASLANMAZ ÇELİK / ASTM A351 GR.CF8&CF8M	1
5	ÇİVATALAR / BOLTS	ASTM A193 GR.B8	4-6
6	PUL / WASHER	PASLANMAZ ÇELİK / SS304	8-12
7	SOMUN / NUT	ASTM A194 GR.8	8-12
8	MİL / SHAFT	PASLANMAZ ÇELİK / ASTM A276 GR.316&304	1
9	MİL PULU / SHAFT WASHER	PTFE	1
10	SALMASTRA / PACKING	PTFE	1
11	GRAFİT SALMASTRA / GRAPHITE PACKING	ESNEK GRAFİT / FLEXIBLE GRAPHITE	1
12	SOMUN / NUT	SS304	2
13	MİL SALMASTRASI / SHAFT PACKING	PTFE	1

ÖLÇÜ SIZE	L	D	D1	D2	H	Z	N-Ø	f	CXC	AĞIRLIK WEIGHT KGS	TEPE FLANŞLI TOP PAD ISO5211	AKTÜATÖR ACTUATOR
DN15	130	95	65	45	191	160	4-14	2	9*9		F03-F05	NST-EA05
DN20	150	105	75	58	205	160	4-14	2	9*9		F03-F05	NST-EA05
DN25	160	115	85	68	203	160	4-14	2	11*11		F03-F05	NST-EA05
DN32	180	140	100	78	209	160	4-18	2	11*11		F03-F05	NST-EA05
DN40	200	150	110	88	216	160	4-18	3	14*14		F05-F07	NST-EA05
DN50	230	165	125	102	252	196	4-18	3	14*14		F05-F07	NST-EA10
DN65	290	185	145	122	268	196	4-18	3	17*17		F07-F10	NST-EA10
DN80	310	200	160	138	317	256	8-18	3	17*17		F07-F10	NST-EA20
DN100	350	220	180	158	338	256	8-18	3	19*19		F07-F10	NST-EA20