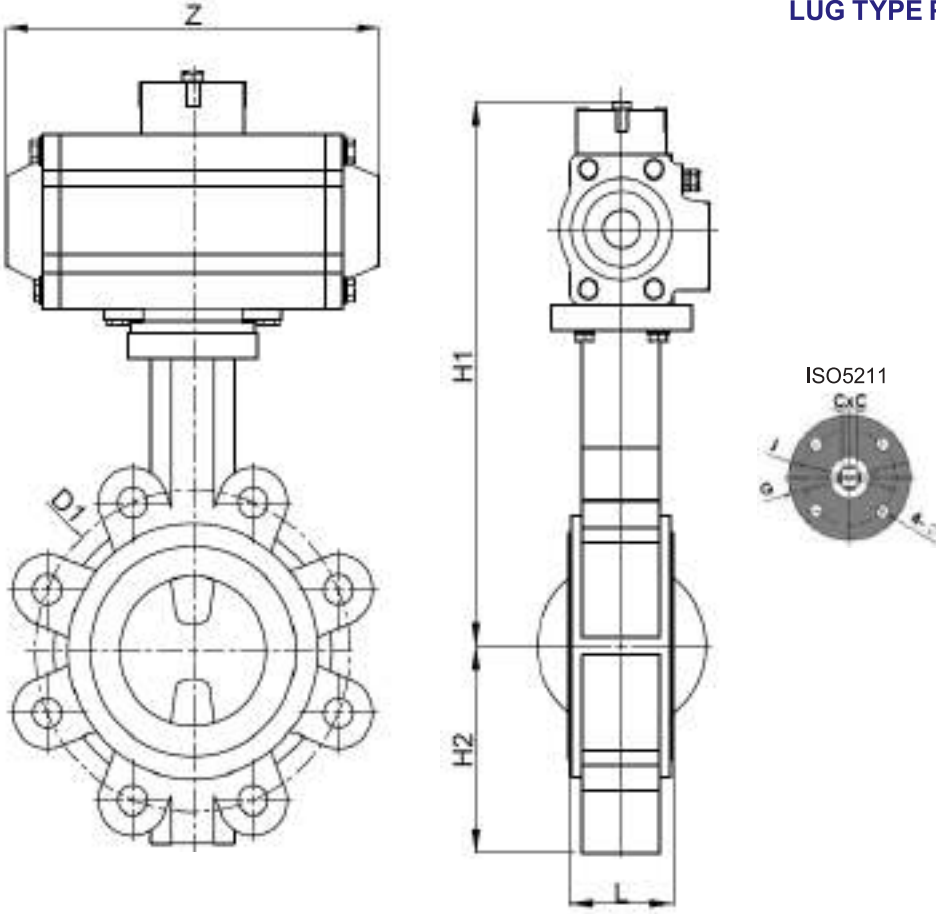


LUG TİPİ PTFE CONTALI PNÖMATİK AKTÜATÖRLÜ  
KELEBEK VANALAR  
LUG TYPE PTFE GASKET BUTTERFLY VALVES WITH  
PNEUMATIC ACTUATORS

MODEL NST-AKLT1



ÇİFT ETKİLİ AKTÜATÖRLÜ KELEBEK VANA / BUTTERFLY VALVE WITH DOUBLE ACTING ACTUATOR

ÖLÇÜ SIZE	L	H1	H2	Z	D1	D2	D3	CXC	G	J	4-Ø	AKTÜATÖR ACTUATOR
DN50	43	77	136,5	144	70	118	120	9*9	65	50	4-Ø7	NST-DA50
DN65	46	87,5	142	163	85	137	136,2	9*9	65	50	4-Ø7	NST-DA63
DN80	46	95	158	163	100	143	160	9*9	65	50	4-Ø7	NST-DA63
DN100	52	107	182,5	214	122	156	185	11*11	65	50	4-Ø7	NST-DA75
DN125	56	121,5	194,5	252	148	190	215	14*14	90	70	4-Ø9	NST-DA88
DN150	56	144	217,5	270	175	212	238	14*14	90	70	4-Ø9	NST-DA100
DN200	60	171	245	316	226	268	295	17*17	125	70	4-Ø12	NST-DA115
DN250	68	205	280	354	278	325	357	22*22	125	70	4-Ø12	NST-DA125
DN300	78	235	310	418	330	403	407	22*22	125	102	4-Ø14	NST-DA145