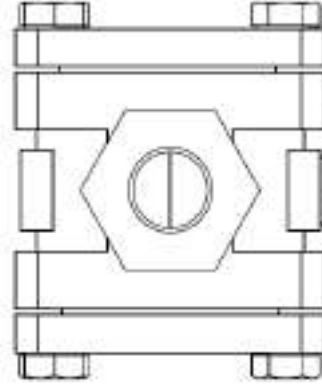
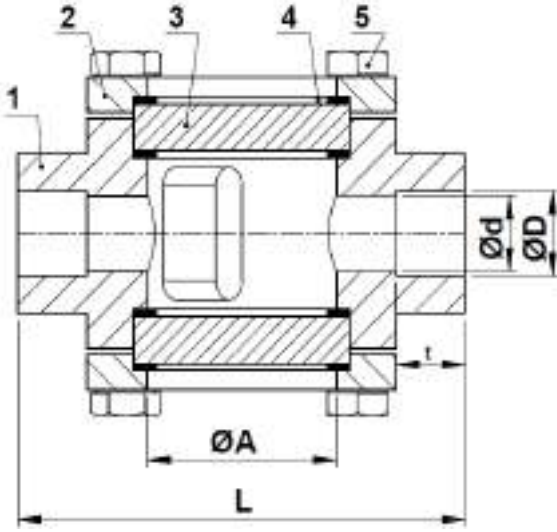


MODEL NST-AG1D



ÇALIŞMA ŞARTLARI / OPERATING CONDITIONS

MAX.TEST BASINCI / MAX.TEST PRESSURE	24 Bar
BASINÇ SINIFI / PRESSURE CLASS (OPTIONAL)	16 Bar
MAX.ÇALIŞMA SICAKLIĞI / MAX. OPERATING TEMPERATURE	180°C

PARÇA ADI / PART NAME		MALZEME / MATERIAL
1	GÖVDE / BODY	GG25 / GG40.3 / GSC25 / WCB / SS304 / SS316
2	KAPAK / COVER	GG25 / GG40.3 / GSC25 / WCB / SS304 / SS316
3	GÖZETLEME CAMI / SIGHT GLASS	TERMAL CAM / THERMAL GLASS
4	CAM SIZDIRMAZLIK CONTASI / WINDOW SEALING GASKET	PTFE
5	TESPİT SAPLAMA SOMUNU / LOCK STUD NUT	KARBONÇELİK / CARBON STEEL SAE Gr 5 / AISI304

DIŞLİ AKIŞ GÖSTERGELERİ PN16 / THREADED FLUID INDICATORS PN16

AKIŞ GÖSTERGESİ TİPİ SIGHT FLOW INDICATOR TYPE ØD	ÖLÇÜLER / SIZE				
	L	Ød	t	ØA	KG
NST-AG1D / 1/2"	100	15	14	40	1,4
NST-AG1D / 3/4"	120	20	17	40	1,5
NST-AG1D / 1"	135	25	20	48	2,0
NST-AG1D / 1 1/4"	160	32	22	67	3,1
NST-AG1D / 1 1/2"	185	40	25	68	4,0
NSTAG1D / 2"	200	50	28	85	6,0

SİPARİŞ ÜZERİNE, DN10 VE ASA NORMUNDA AKIŞ GÖSTERGESİ İMALATI YAPILMAKTADIR.
UPON REQUEST, FLUID INDICATORS ARE PRODUCED ACC. TO DN10 AND ASA STANDARTS.