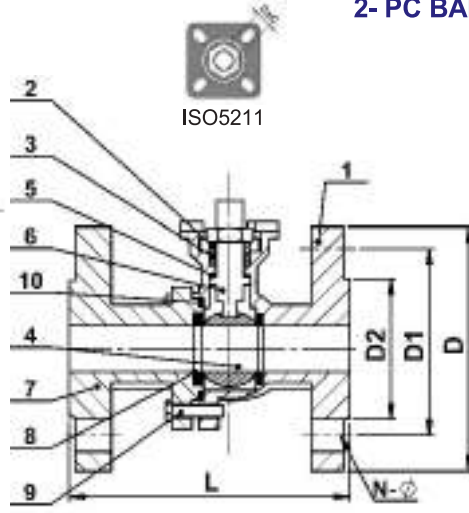
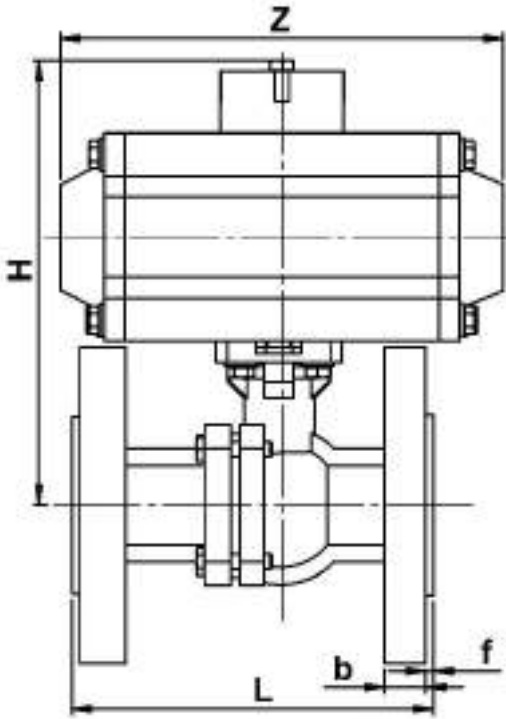


PASLANMAZ ÇELİK 304&316 TAM GEÇİŞLİ PN16 FLANŞLI
İKİ PARÇALI AKTÜATÖRLÜ KÜRESEL VANA
STAINLESS STEEL 304&316 FULL PORT PN16 FLANGED
2- PC BALL VALVE WITH PNEUMATIC ACTUATOR

MODEL NST-PAK2PF



NO	PARÇA ADI / PART NAME	MALZEME / MATERIAL
1	GÖVDE / BODY	ASTM A351 GR.CF8 / CF8M
2	BASKI PULU / THRUST WASHER	PTFE
3	SALMASTRA / PACKING	PTFE
4	KÜRE / BALL	ASTM A351 GR. CF8 / CF8M
5	MİL SALMASTRASI / SHAFT PACKING	PTFE
6	MİL / SHAFT	PASLANMAZ ÇELİK / SS304-316
7	KAPAK / CAP	ASTM A351 GR.CF8 / CF8M
8	SİT / SEAT	PTFE
9	CİVATA / BOLT	PASLANMAZ ÇELİK / SS304-SS316
10	CONTA / GASKET	PTFE

ÖLÇÜ SIZE	PN	L	D	D1	D2	H	Z	N-Ø	b	f	C°C	AKTÜATÖR ACTUATOR	TORK TORQUE Nm	AĞIRLIK WEIGHT KGS
DN15	16	115	95	65	45	150	144	4-14	14	2	9*9	NST-DA50	15.6	
DN20	16	120	105	75	54	156	144	4-14	15	2	9*9	NST-DA50	15.6	
DN25	16	125	115	85	65	175	163	4-14	16	2	11*11	NST-DA63	29.3	
DN32	16	130	135	100	78	201	214	4-18	16	2	11*11	NST-DA75	58.2	
DN40	16	140	145	110	85	214	214	4-18	17	2	14*14	NST-DA75	58.2	
DN50	16	150	160	125	100	225	252	4-18	18	2	14*14	NST-DA88	91.5	
DN65	16	170	180	145	120	244	252	4-18	18	2	17*17	NST-DA88	91.5	
DN80	16	180	195	160	135	268	270	4-18	18	2	17*17	NST-DA100	133	
DN100	16	190	215	180	155	323	354	8-18	20	2	19*19	NST-DA125	277	

PNÖSAN San ve Tic. Ltd. Şti.

Merkez : Cemaliye Mah. Gazi Çeşme Sok. No: 2/A 59860 Çorlu / TEKİRDAĞ

Tel:(+90 282) 652 94 86 Pbx Fax:(+90 282) 652 74 05

Fabrika : Zafer Mah.Bakım Onarım 6.Sk.No:54-55-56 Çorlu / TEKİRDAĞ

www.pnosan.com.tr / bilgi@pnosan.com.tr / satis@pnosan.com.tr