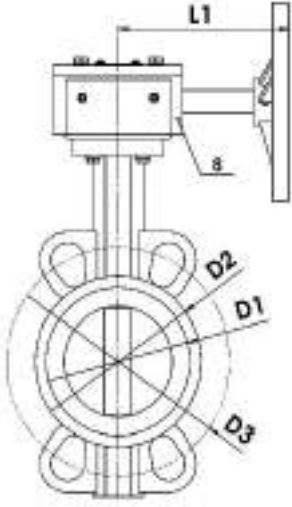
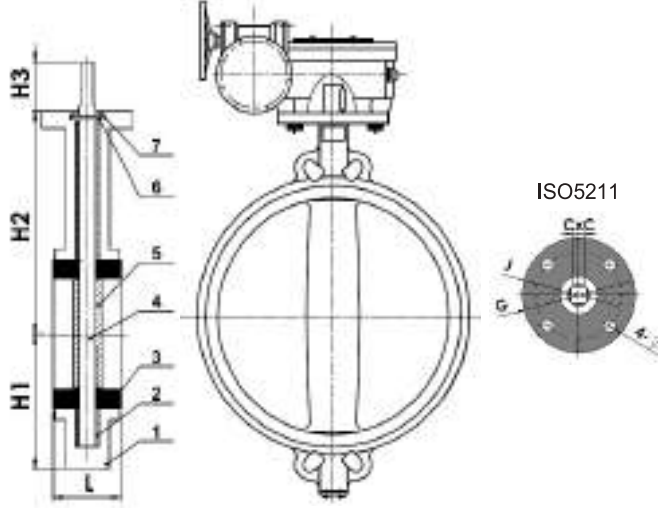


DN150-DN350



DN400-DN600



MODEL NST-GBW2



TEST BASINCI / TEST PRESSURE	KAPLAMA / SHELL	SIZDIRMAZLIK / SEALING
HİDROSTATİK / HYDROSTATIC	24 BAR	17.6 BAR

NO:	PARÇA ADI / PART NAME	MALZEME / MATERIAL
1	GÖVDE / BODY	GG25 PİK DÖKÜM / GG25 PIG CASTING GGG40 SFERO DÖKÜM / GGG40 SPHERO CAST
2	RAKOR / BUSHING	PTFE
3	SİT / SEAT	EPDM
4	MİL / SHAFT	PASLANMAZ ÇELİK / SS416
5	DİSK / DISC	AISI316 & 304 PASLANMAZ ÇELİK / AISI316 & 304 STAINLESS STEEL
6	O-RİNG / O-RING	NBR
7	SEGMAN / SEGMENT	A3
8	DİŞLİ KUTUSU / GEAR BOX	ALÜMİNYUM / ALUMINIUM

ÖLÇÜ / SIZE	L	H1	H2	H3	L1	4-Ø	G	J	CxC	TOP FLANGE ISO5211	CxC	D1	D2	D3	AĞIRLIK WEIGHT(KGS)
															DİŞLİ KUTULU GEAR BOX
DN150	56	139	204	38	160	9	90	70	14*14	F07	14*14	175	212	240	12.7
DN200	60	175	243	38	227	12	125	70	17*17	F10	17*17	226	268	295	26.1
DN250	68	203	289	44	227	12	125	70	22*22	F10	22*22	278	325	350	33.5
DN300	78	238	319	44	227	14	125	102	22*22	F10	22*22	330	403	400	45.9
DN350	78	267	368	45	227	14	150	125	22*22	F10	22*22	375	435	460	55.0
DN400	102	298	400	51	270	14	150	125	27*27	F14	27*27	439	508	515	87.0
DN450	114	318	422	51	270	22	210	165	27*27	F14	27*27	490,5	542	565	112.0
DN500	127	349	479	64	350	22	210	165	36*36	F14	36*36	535	592	620	148.0
DN600	154	410	562	70	350	22	210	165	36*36	F16	36*36	654	708	725	